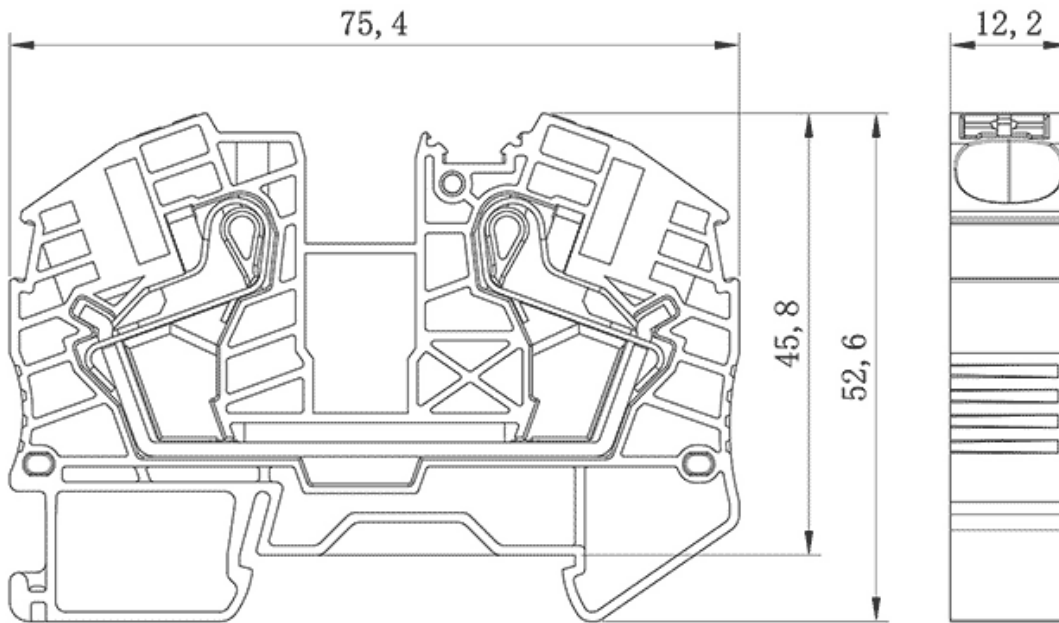


Product Type: Push-in spring terminal

Product Name: TP16-2-GY

Product Description: Connection method: Push in connection, IEC Rated Current: 76A, IEC Rated Voltage: 1000V, Number of connections: 2, Number of levels : 1, Rated cross section: 20-4AWG

Product Size



Parameters

☞ SUPU ID	TP16-2-GY
☞ Width	12.2mm
☞ Number of levels	1
☞ Number of connections	2

☞ Connection method	直插弹簧接线
☞ Protection Level	IP20
☞ Insulation material	PA66
☞ Insulation material group	I
☞ Contact material	Copper alloy
☞ Contact plating	Sn,Plated
☞ Ambient temperature (operation)	-40°C~105°C
☞ Ambient temperature (assembly)	-5°C~70°C
☞ Ambient temperature (storage)	-25°C~60°C
☞ Permissible humidity (storage/transport)	30%~70%

Technical data

☞ IEC Rated Current	76A
☞ IEC Rated Voltage	1000V
☞ Overvoltage category	III
☞ Degree of pollution	3
☞ Rated impulse voltage	8KV
☞ UL Rated Current	85A
☞ UL Rated Voltage	600V
☞ Conductor cross section rigid	0.5-25mm ²
☞ Conductor cross section flexible	0.5-16mm ²
☞ Conductor cross section flexible,with ferrule	0.5-16mm ²
☞ Stripping length	18mm
☞ Use group	B/C